



art metal

25 MEGALIA LED

F.P.H. Art Metal Sp.j.

Ul. Jabłoniowa 124, 83-331 Łapino Kartuskie, Poland
 Tel. 0048 58 681 80 78, Fax: 0048 58 681 80 64
 www.art-metal.pl e-mail: biuro@art-metal.pl

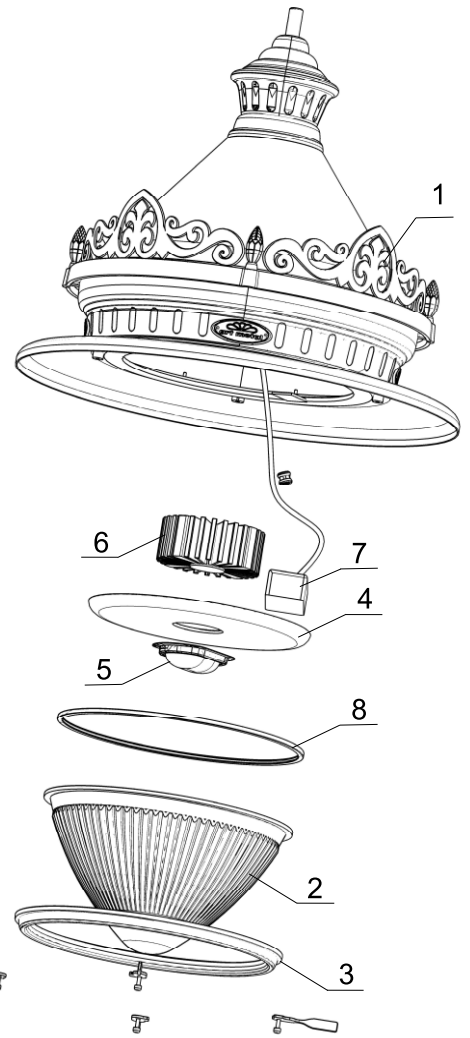
Construction:

The unit consist of a body (1). A shade (3) is mounted to the luminary body with a ring (3). A disk (4) separating electrical compartment from lighting compartment is attached to a luminary body. A LED light source radiator is settled to the disk (4). LED module is mounted to the radiator (6) and tightly closed with a lens The module is powered with a voltage power supply (7). The luminary is sealed with a gasket (8).

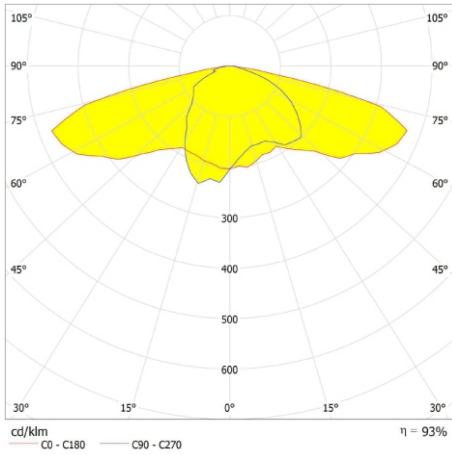
Mounting instructions:

- Screw the radiator (6) to mount an LED light source to the disk (4).
- Connect the electrical cables according to the scheme.
- Tighten bolts to mount a disk (4) to the luminary body (1).
- Mount the shade (2) to the body (1) with a ring (3). Tighten mounting bolts.
- The luminary is mounted to the lantern with a M20 thread (hanged luminary).

If any lantern elements are supplied factory-mounted, the mounting stages marked with *) should be omitted (as this has already been done by the manufacturer).



TECHNICAL DATA:

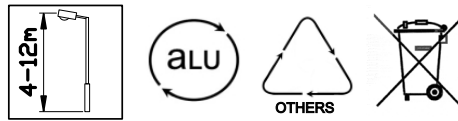


Power: ~230/50Hz

Protective class: I

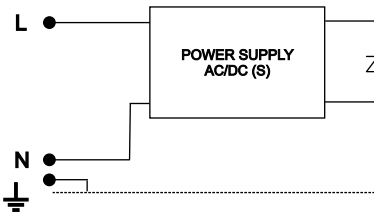
IP66 -electrical part

IP66 -optical part

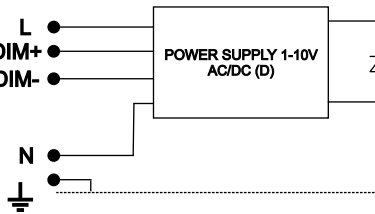


Photometry (polar plot)

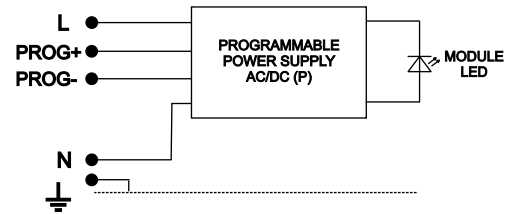
ELECTRICAL DIAGRAMS:



1. Module LED -basic power supply (S)



2. Module LED -dimnable power supply (D)



3. Module LED -programmable power supply (P)

Type	Light-prod. element	Luminous flux[lm]		Weight [kg]	Pn [W]	Luminary dimensions	
		3000K (830)	4000K (840)			Wind area A = 0,24m ²	L/D 770/700
25L-22W	CXB2540	2990	3170	16,5	22		
25L-33W	CMA2550	4286	4609	16,5	33		
25L-38W	CMA2550	4842	5207	16,5	38		
25L-50W	CMA2550	6131	6593	16,5	50		
25L-58W	CMA2550	6896	7415	16,5	58		
25L-78W	CMA2550	8091	8700	16,5	78		

WARNING !! The weight of the unit may slightly differ for individual production batches.

