



art metal

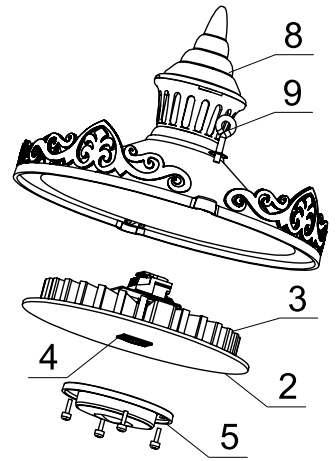
G05 MINI MARS

F.P.H. Art Metal Sp.j.

Ul. Jabłoniowa 124, 83-331 Łapino Kartuskie, Poland
Tel. 0048 58 681 80 78, Fax: 0048 58 681 80 64
www.art-metal.pl e-mail: biuro@art-metal.pl

Construcion:

The unit consists of a metal basket (1) holding a shade (6). A disk (2) separating electrical compartment from lighting compartment is attached to a luminary basket (1) on the top. A LED light source (4) radiator (3) is mounted to the disk (2). LED module is mounted to the radiator (3) a tightly closed with a lens (5). The luminary cover (8) is mounted to the luminary body (1) with a hinge and closed with a screw (9) so no additional tools are necessary. The luminary is sealed with a gasket (7).

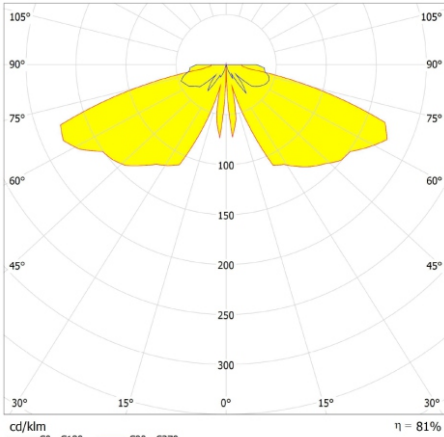


Mounting instruction:

- * - Put the shade (6) into the basket (1)
- * - Screw the radiator (3) to mount an LED light source (4) to the disk (2)
 - Connect the electrical cables to the terminals
 - Screw tightly disk (2) to the luminary body (1)
 - Close the cover (8) with screw (9) using hand.
 - Luminary is mounted to the lantern depending on the pole construction - either hanging on M20 thread or mounted on the top of the pole on $\varnothing 45\text{-}\varnothing 90$ diameter.

If any lantern elements are supplied factory-mounted, the mounting stages marked with *) should be omitted (as this has already been done by the manufacturer)

TECHNICAL DATA:



Photometry (polar plot)

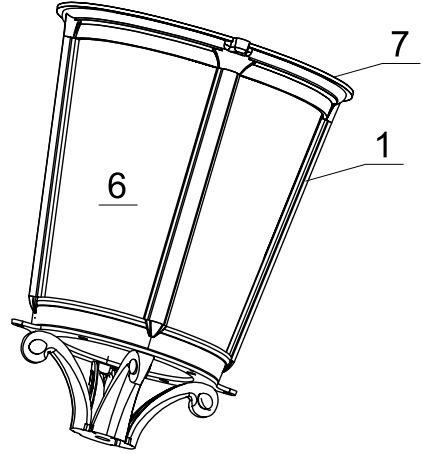
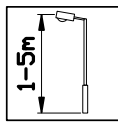
Power: ~230/50Hz

Protective class: I

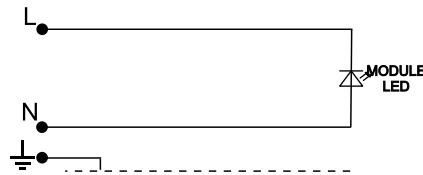
IP54 - electrical part

IP54 - optical part

IK08



ELECTRICAL DIAGRAM:



1. Light source LED module - ~230V

Type	Light-prod. element	Luminous flux [lm]		Weight [kg]	Pn [W]	Luminary dimensions
		3000K (830)	4000K (840)			
G05L-6W	EDC/38C/6W	540	558	2,5	6	 Wind area $A = 0,1\text{m}^2$ L/D 485/250
G05L-8W	EDC/38C/8W	720	744	2,5	8	
G05L-12W	EDC/47C/10W	950	1000	2,5	10	



WARNING !! The weight of the unit may slightly differ for individual production batches.

